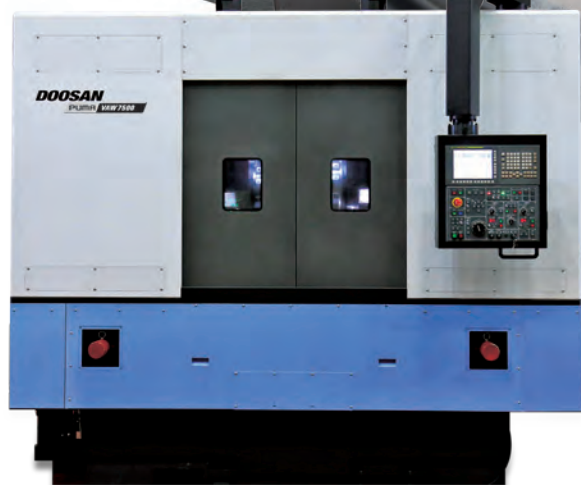




Optimal Solutions for the Future

PUMA VAW7500 series



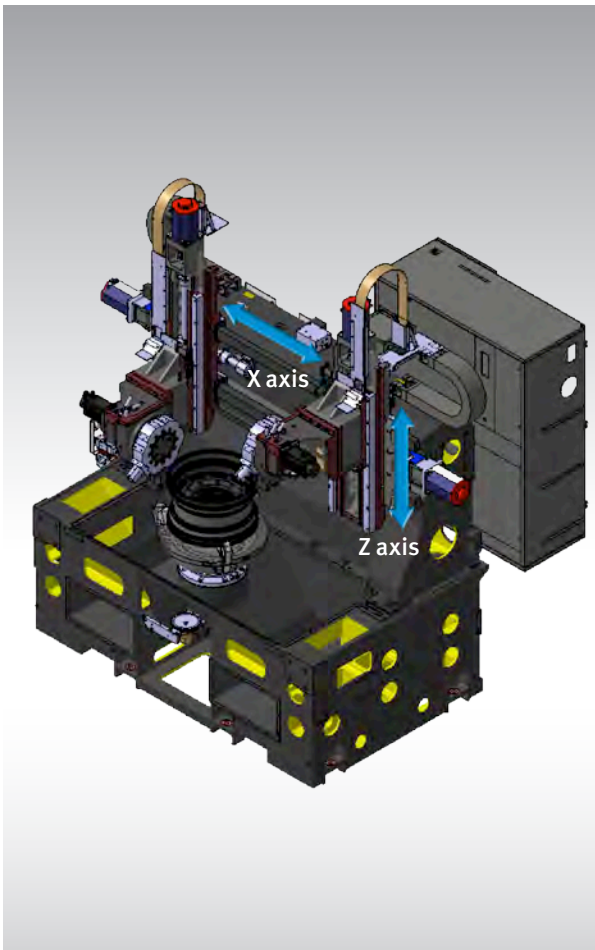
**High Productivity
2-Turret Aluminum
Wheel Machining
Vertical Turning Center**

PUMA VAW7500

ver. EN 161226 SU

Basic Structure

The PUMA VAW7500 Series maximizes wheel machining productivity with twin powerful turrets. With an ability to maintain the high cutting capacity of the preceding models, its machining performance has been greatly enhanced.



For seamless integration with process automation, the new, improved top slide cover allows easy entrance of robot and gantry.

Travel Distance / Rapid Traverse

X axis

500 mm (19.7 inch)
24 m/min (944.9 ipm)

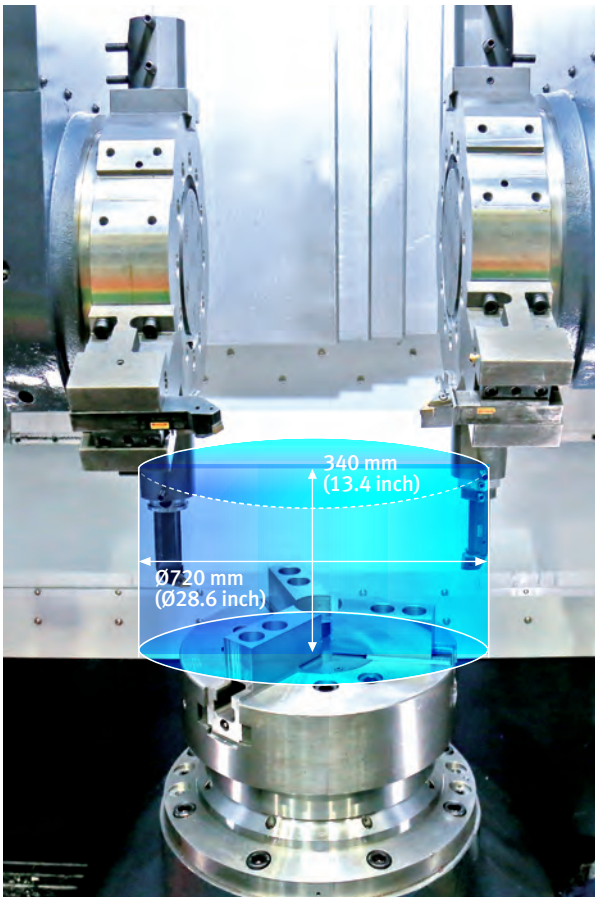
Z axis

500 mm (19.7 inch)
20 m/min (787.4 ipm)

Wheel Size

27.5 inch

Machining Area



Max. Turning Diameter

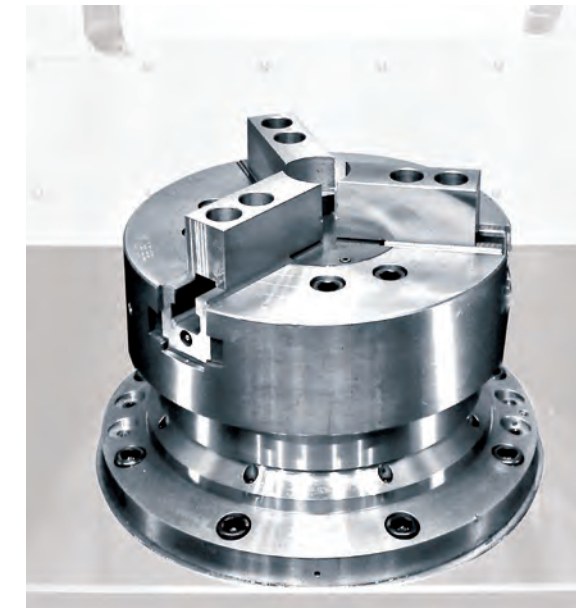
Ø 720 mm
(Ø 28.6 inch)

Max. Turning Height

340 mm
(13.4 inch)

Spindle

With its powerful torque and power of the same class in addition to further stabilized spindle structure, the Series provides highest machining performance.



Max. Speed

2000 r/min

Max. Power (30 min/cont.)

55/45 kW
(73.8/60.3 Hp)

Max. Torque

684.5 N·m
(505.2 ft-lbs)

Turret

The turrets specialized for processing aluminum wheels offer excellent cutting capacity and reliability.



No. of Tool Posts

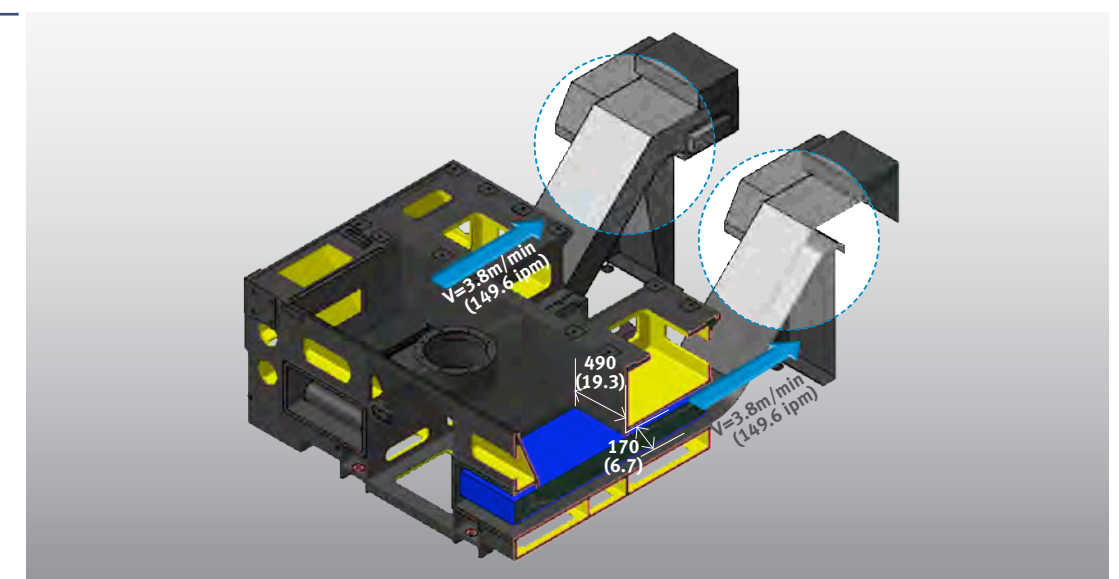
6+6 Faces

1 Station Indexing Time

1.2 sec.

Chip Disposal

Chip disposal rate has been increased by double for easy adaptation to line automation and user convenience.



Major Specifications

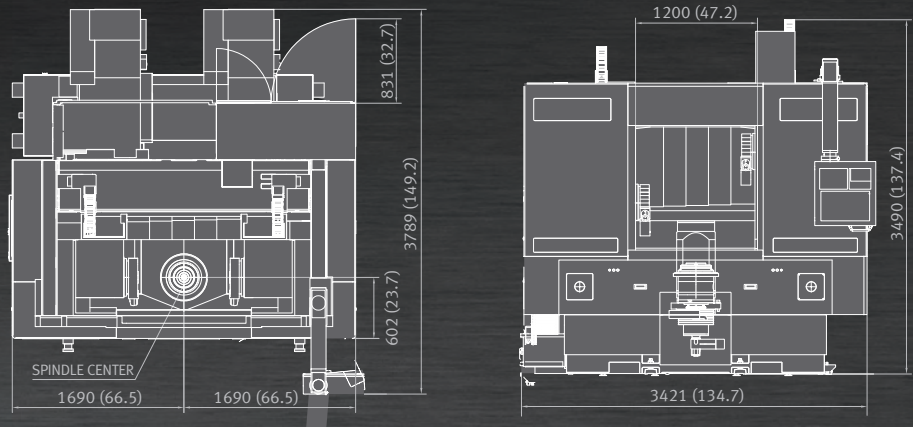
PUMA VAW7500



Description	Unit	PUMA VAW7500
Max. turning diameter	mm (inch)	Ø 720 (Ø 28.3)
Recommended turning dia.	inch	22.5
Rapid traverse (X / Z-axis)	m/min (ipm)	24 / 20 (944.9 / 787.4)
Max. Spindle speed	r/min	2000
Spindle motor power (30min/cont.)	kW (Hp)	55/45 (73.8 / 60.3)
Machine dimensions (L x W)	mm (inch)	3380 x 2899 (133.1 x 114.1)
CNC specification	-	DOOSAN FANUC i

Machine Dimensions

Unit : mm (inch)



Doosan Machine Tools

<http://www.doosanmachinetools.com>

www.facebook.com/doosanmachinetools

Optimal Solutions for the Future

Head Office

Yeonkang Bldg., 6th FL., 270, Yeonji-dong,
Jongno-gu, Seoul, Korea
Tel +82-2-3670-5345 / 5362
Fax +82-2-3670-5382

Doosan Machine Tools America

19A Chapin Rd., Pine Brook, NJ 07058, U.S.A.
Tel +1-973-618-2500
Fax +1-973-618-2501

Doosan Machine Tools China

Room 101,201,301, Building 39 Xinzhuang Highway
No.258 Songjiang District,China Shanghai(201612)
Tel +86 21-5445-1155
Fax +86 21-6405-1472

Doosan Machine Tools Europe

Emdener Strasse 24, D-41540 Dormagen, Germany
Tel +49-2133-5067-100
Fax +49-2133-5067-111

Doosan Machine Tools Japan

#2412, Mita Kokusai Bldg. 1-4-28 Mita,
Minato-ku, Tokyo 108-0073, Japan
Tel +81 3 5730 9013
Fax +81 3 5730 9016

Doosan Machine Tools India

106 / 10-11-12, Amruthahalli, Byatarayanapura,
Bellary road, Bangalore-560 092, India
Tel +91-80-4266-0122 / 121 / 100



* For more details, please contact Doosan Machine Tools.

* The specifications and information above-mentioned may be changed without prior notice.

* Doosan Machine Tools Co., Ltd. is a subsidiary of MBK Partners. The trademark  DOOSAN is used under a licensing agreement with Doosan Corporation, the registered trademark holder.